



WET SYSTEM



VALVES

ANGLE HOSE - F X F
CAST BRASS

FEATURES & APPLICATIONS:

- Working PSI - (150) WOG
- DRY SYSTEM: Pipe is maintained empty of water
- WET standpipe system: Pipes are kept full of water for manual or automatic fire fighting operations

TECHNICAL DATA:

- **WOG** = Rating indicates the maximum non-shock pressure at ambient temperatures at which the valve may be used.
- **CWP** = Cold working pressure

WOG: Water, Oil & Gas: This was an older, generic pressure rating call-out which has been largely replaced by CWP. In this designation, "GAS" refers to any non-flammable, compressible fluid in a gaseous state. It does not imply a product's suitability or third-party approval for use with flammable gases. Similarly, in this designation, "Oil" does not imply a product's third-party approval for use with any petroleum products.

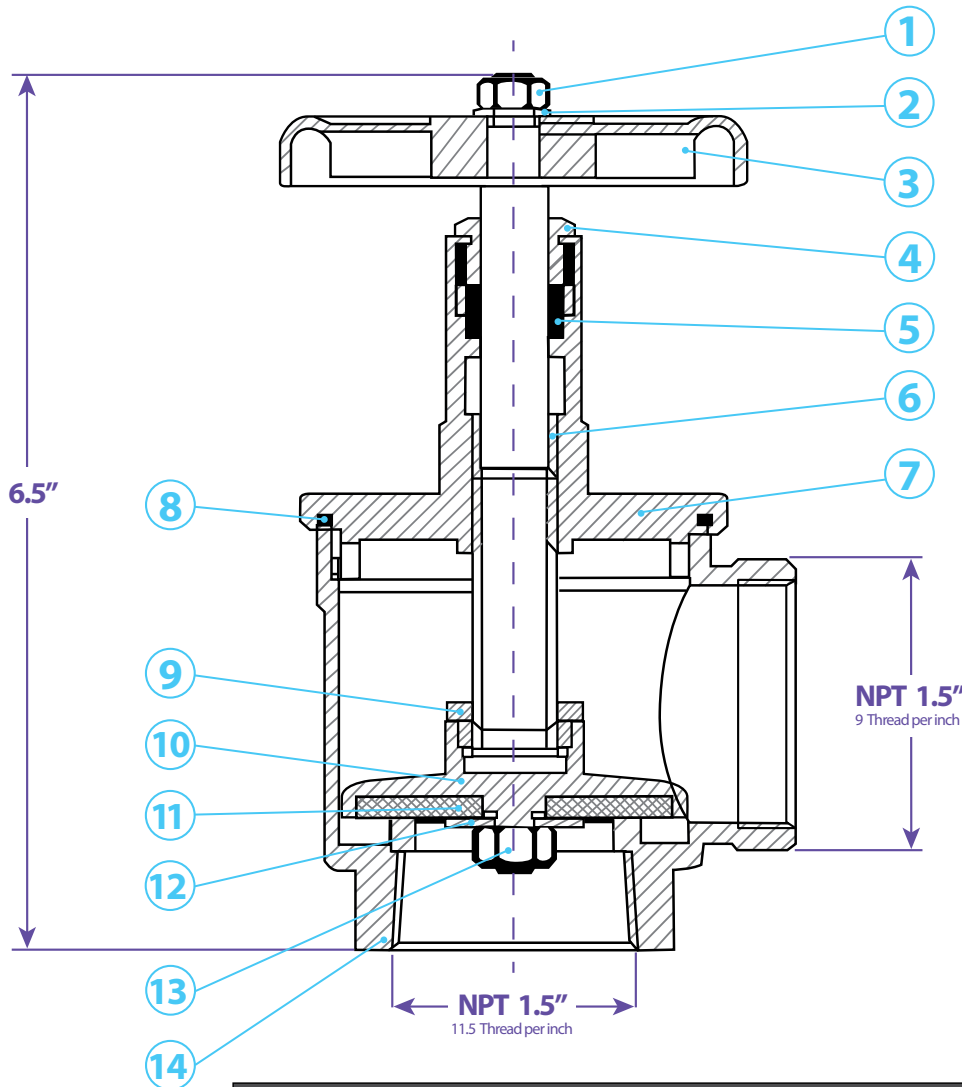
BRASS

Size	Part #
1-1/2" F NPT x 1-1/2" F NPT	2815825



SEALFAST
THE SIMPLE SOLUTION

**FIRE
PROTECTION**



Material			
No.	Description	#	Material
1	Nut	1	S/S
2	Washer	1	S/S
3	Hand Wheel	1	AL-6061
4	Nut	1	HPb59-1
5	PTF4 Gasket	1	F4
6	Valve Stem	1	HPb59-1
7	Cover	1	HPb59-1
8	NBR Washer	1	NBR
9	Under Nut	1	HPb59-1
10	Bonnet Nut	1	HPb59-1
11	NBR Washer	1	NBR
12	Washer	1	HPb59-1
13	Nut	1	Steel Chromed
14	Valve Body	1	HPb59-1

Dimensions					
D	L	L1	d	g	Part #
1-1/4"	6.3740	3.7402	1.2795	0.1260	SF125xxxx
1-1/2"	6.3740	3.7402	1.5315	0.1260	SF150xxxx
2"	8.0000	4.9606	2.0315	0.1260	SF200xxxx
2-1/2"	8.0000	4.9606	2.5315	0.1575	SF250xxxx
3"	8.3740	4.9606	3.0315	0.1575	SF300xxxx
4"	8.3740	4.9606	4.0315	0.1575	SF400xxxx

TITLE VALVES - ANGLE HOSE - F X F

DISCLAIMER

All drawings and specifications are subject to change without notice. Drawings represent general dimensions of our products. Seal Fast cannot guarantee the dimensions of the part will exactly match those in the drawing. This drawing is the property of Seal Fast Inc. Copying or reproduction of this drawing is expressly prohibited.

MATERIAL

CAST BRASS

DRAWING NOT TO SCALE

PART #

2815825

